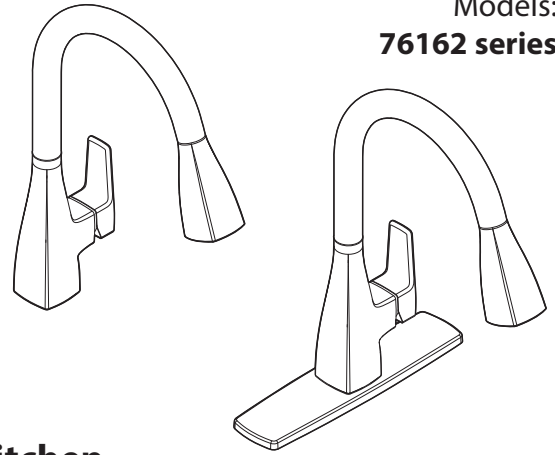


# CFG

# SLATE™



Models:  
76162 series



## One Handle Pulldown Kitchen

### DESCRIPTION

- Metal construction with various finishes identified by suffix
- Flexible supplies with 3/8" compression fittings
- Mounts in single hole or 3 hole installation
- Three (3) individual boxes per master carton

### OPERATION

- Pivot action, lever style handle
- Temperature control by 90° arc of handle travel
- Pulldown spray wand with 68" braided hose
- Operates in stream or spray mode in the pullout or retracted position
- Will operate with less than 5 lbs. of torque

### FLOW

- Flow is limited to 1.5 gpm max (5.7 L/min) at 60 psi

### CARTRIDGE

- Ceramic disc technology
- Non-metallic, non-ferrous, and brass materials
- Single body construction for easy replacement

### STANDARDS

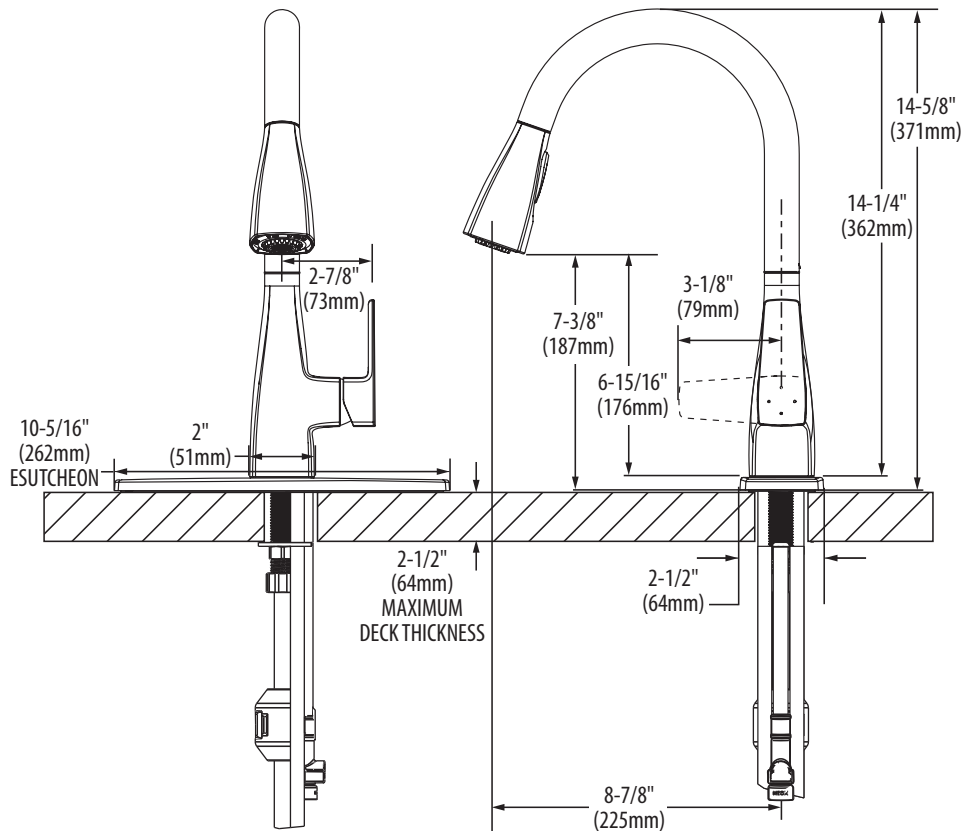
- Third party certified to ASME A112.18.1/ CSA B-125.1, and all applicable requirements referenced therein including NSF 61/9 & 372
- Complies with California Proposition 65 and with the Federal Safe Drinking Water Act
- ADA for lever handle

### WARRANTY – RESIDENTIAL, COMMERCIAL

- Ten year limited warranty against defects in materials and manufacturing workmanship
- Refer to the installation instructions enclosed with each CFG product or call 1-888-450-5522 for complete warranty information

### NOTE:

- This faucet is designed to be installed through 1 or 3 holes 1-1/2" (38mm) minimum diameter



### CRITICAL DIMENSIONS

(DO NOT SCALE)